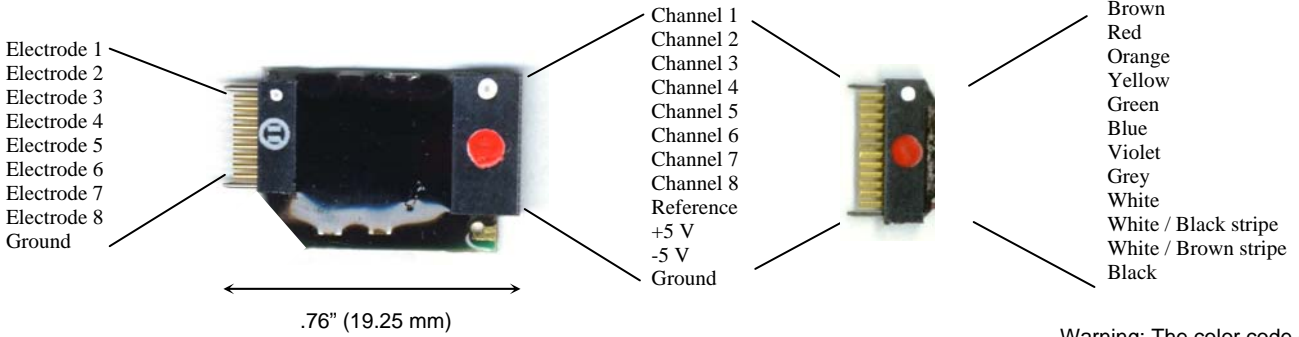


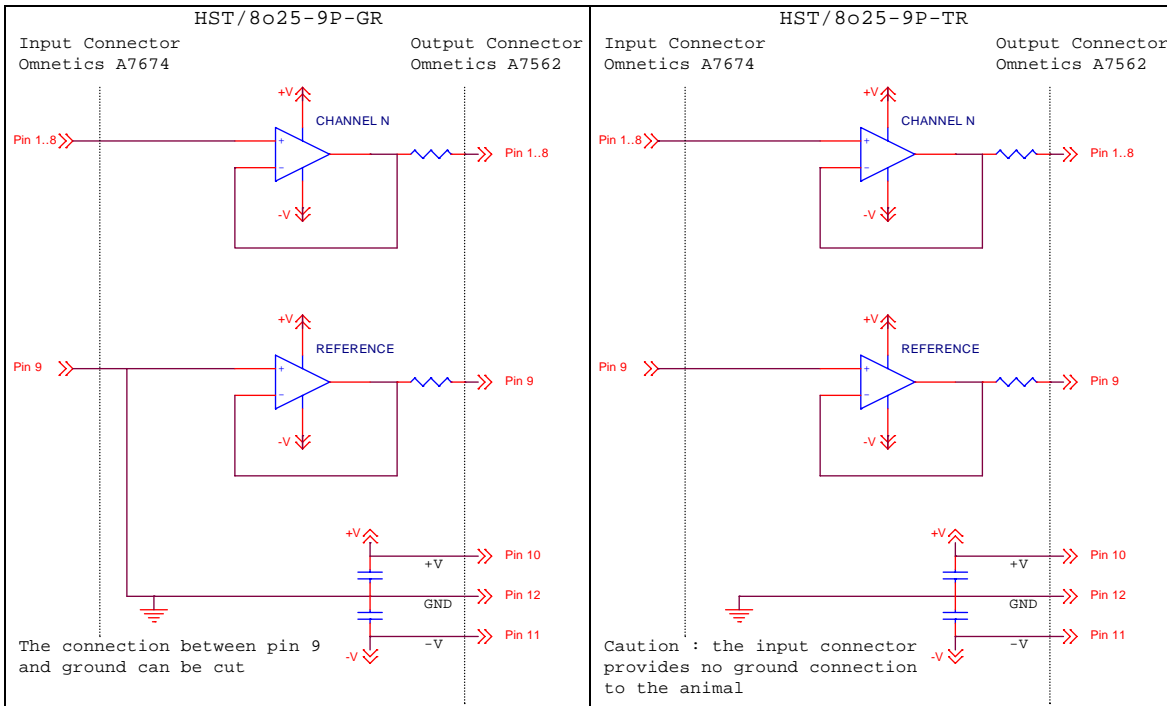
HST/8o25-9P (9-Pin) Technical Specifications

Pinout Information



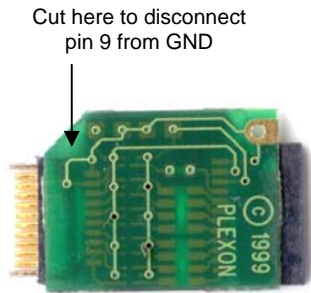
Warning: The color code of the wires in the cable may vary

Schematics



Disconnecting the Reference Amplifier

To create a dedicated reference input (HST/8o25-9P-TR), cut the trace connecting input pins 9 and 10:



Warning: Disconnecting the reference amplifier on the HST/8o25-9P removes the ground connection between the animal and the headset.

